

GKV-225L DN125~DN150(5"~6")

GKV-225L PN16 DN125-DN150

SIZE	PORT	L	E	H1	H2	H4	C	ØY	ØG	ØJ	ØI	T	F	M	ØN	ØK	Z	
DN125	5"	125.0	325.0	600.0	233.0	45.0	163.0	23.0	36.0	250.0	210.0	188.0	22.0	2.0	8	18.0	125	M12*1.75P
DN150	6"	150.0	350.0	800.0	259.0	45.0	182.5	23.0	36.0	285.0	240.0	212.0	22.0	2.0	8	22.0	125	M12*1.75P

unit:mm

GKV-225L PN40 DN125-DN150

SIZE	PORT	L	E	H1	H2	H4	C	ØY	ØG	ØJ	ØI	T	F	M	ØN	ØK	Z	
DN125	5"	125.0	325.0	600.0	233.0	45.0	163.0	23.0	36.0	270.0	220.0	188.0	26.0	2.0	8	26.0	125	M12*1.75P
DN150	6"	150.0	350.0	800.0	259.0	45.0	182.5	23.0	36.0	300.0	250.0	218.0	28.0	2.0	8	26.0	125	M12*1.75P

unit:mm

GKV-225L15 Class150 5"-6"

SIZE	PORT	L	E	H1	H2	H4	C	ØY	ØG	ØJ	ØI	T	F	M	ØN	ØK	Z	
DN125	5"	125.0	325.0	600.0	233.0	45.0	163.0	23.0	36.0	254.0	216.0	186.0	24.0	1.6	8	22.3	125	M12*1.75P
DN150	6"	150.0	394.0	800.0	259.0	45.0	182.5	23.0	36.0	279.4	241.3	216.0	25.4	1.6	8	22.3	125	M12*1.75P

unit:mm

GKV-225L15 Class300 5"-6"

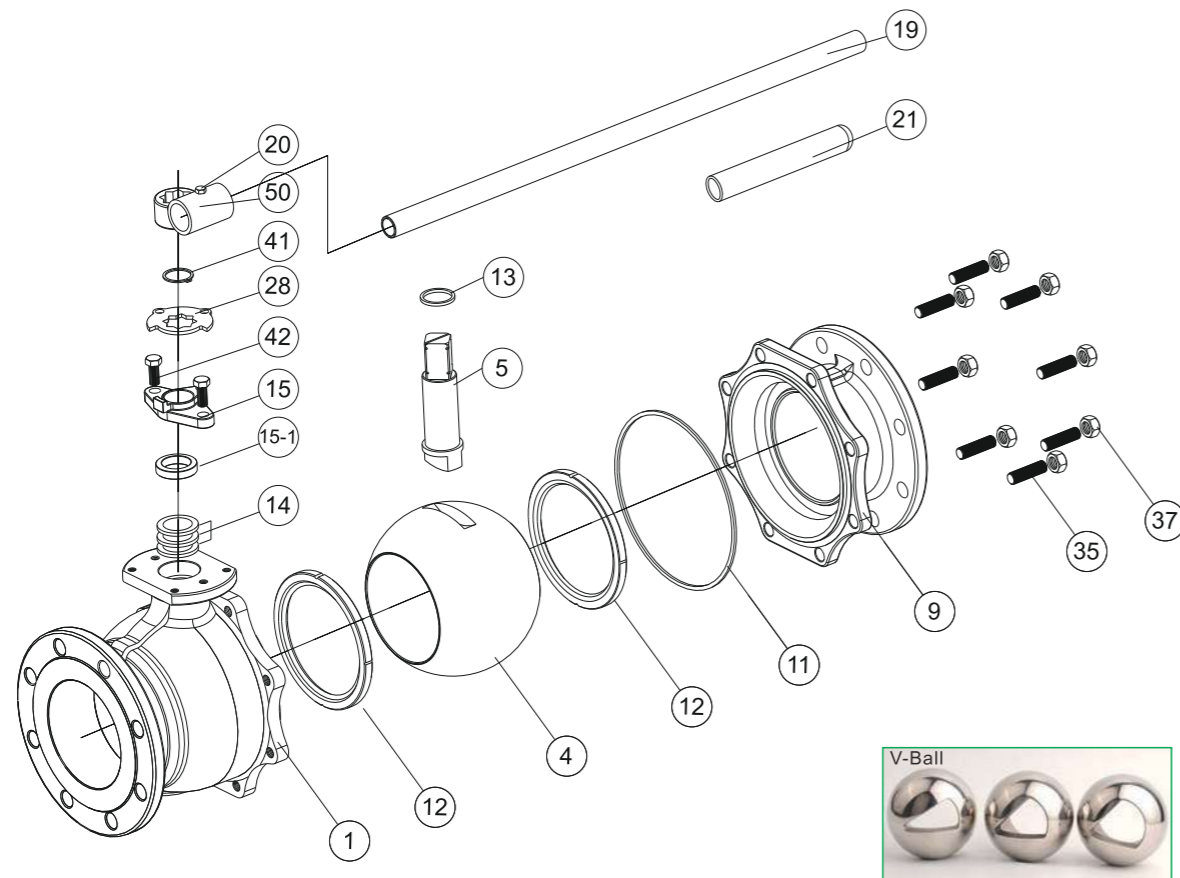
SIZE	PORT	L	E	H1	H2	H4	C	ØY	ØG	ØJ	ØI	T	F	M	ØN	ØK	Z	
DN125	5"	125.0	381.0	600.0	233.0	45.0	163.0	23.0	36.0	279.4	235.0	186.0	35.0	1.6	8	22.3	125	M12*1.75P
DN150	6"	150.0	403.0	800.0	259.0	45.0	182.5	23.0	36.0	317.5	269.8	216.0	36.6	1.6	12	22.3	125	M12*1.75P

unit:mm

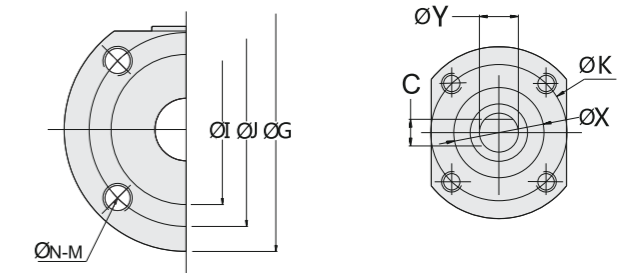
GKV-225L 10K JIS-10K

SIZE	PORT	L	E	H1	H2	H4	C	ØY	ØG	ØJ	ØI	T	F	M	ØN	ØK	Z	
DN125	5"	125.0	325.0	600.0	233.0	45.0	163.0	23.0	36.0	250.0	210.0	182.0	20.0	2.0	8	23.0	125	M12*1.75P
DN150	6"	150.0	394.0	800.0	259.0	45.0	182.5	23.0	36.0	280.0	240.0	212.0	22.0	2.0	8	23.0	125	M12*1.75P

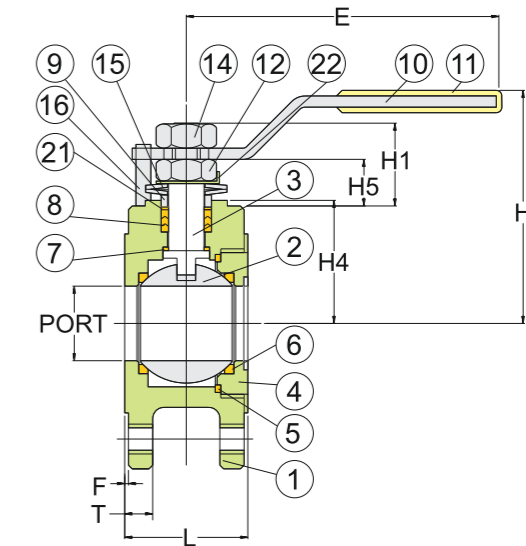
unit:mm



ANSI CLASS 150, PN16



DN15~DN150 (1/2" ~6")
 FULL PORT ONE-PIECE BALL VALVE FLANGE END
 BLOW-OUT PROOF STEM/ FULL PORT
 ISO 5211 MOUNTING DEVICE
 TEMPERATURE RANGE: -20 to 180°C
 FLANGE DIMENSIONS :
 EN 1092-1 PN16
 ANSI B16.5 CLASS 150
 TEST : EN-12266-1
 API-598



GKV-212 PN16 DIMENSIONS

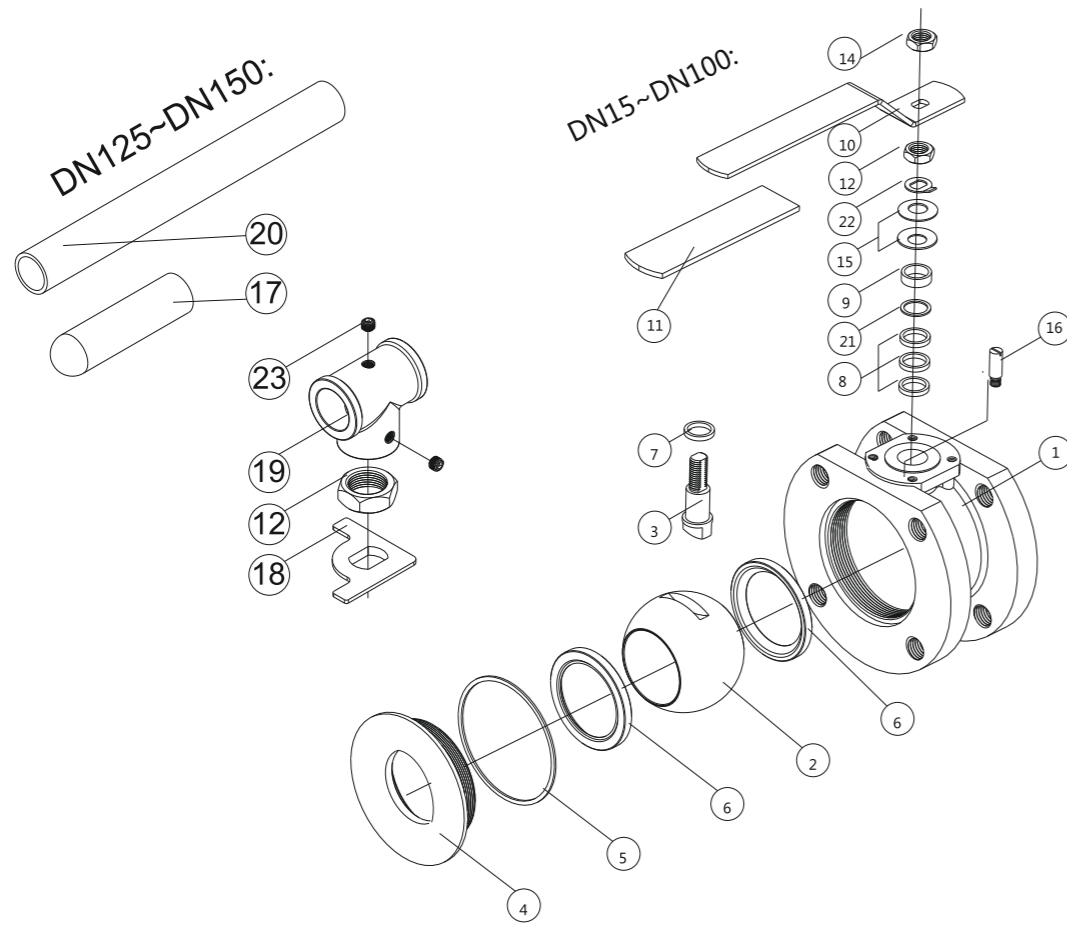
SIZE	PORT	L	E	H	H1	H4	H5	C	ØX	ØY	ØG	ØJ	ØI	T	F	ØK	N	
DN15	1/2"	15	35	116	70	19.2	32	10.5	6.35	25	9.6	95	65	45	7.0	2	36	M12
DN20	3/4"	20	38	116	74	16.5	38	7.5	6.35	25	9.6	105	75	58	7.0	2	36	M12
DN25	1"	25	44	165	75	17.5	42	7.5	6.35	25	9.6	115	85	65	7.5	2	36	M12
DN32	1-1/4"	32	54	165	87	24.0	50	12.0	8.0	32	11.2	140	100	78	17.0	2	42	M16
DN40	1-1/2"	38	62	193	90	24.0	54	12.0	8.0	35	11.2	150	110	88	19.0	2	50	M16
DN50	2"	50	80	193	99	24.0	62	12.0	8.0	35	11.2	165	125	102	19.5	2	50	M16
DN65	2-1/2"	64	101	235	141	25.5	82	14.5	9.5	53	16	185	145	122	17.0	2	70	M16
DN80	3"	76	118	235	150	25.5	91	14.5	9.5	53	16	200	160	138	20.0	3.0	70	M16
DN100	4"	96	150	266	172	49.0	107	24.0	17	55	28	220	180	158	21.0	3.0	102	M16
DN125	5"	118	179	400	205	50.0	117	31.0	17	55	28	250	210	188	22.0	3.0	102	M16
DN150	6"	135	202	600	220	50.0	130	31.0	17	60	28	285	240	212	22.0	3.0	125	M20

unit:mm

GKV-212 150#DIMENSIONS

SIZE	DN	ISO-5211	L	E	H	H1	H4	H5	C	ØY	ØG	ØJ	ØI	T	F	ØK	ØN
1/2"	15	F03	35	116	70	19.2	32	10.5	6.35	9.6	89	60.5	35	7.0	1.6	36	1/2"
3/4"	20	F03	38	116	74	16.5	38	7.5	6.35	9.6	98.6	69.9	43	7.0	1.6	36	1/2"
1"	25	F03	42	165	75	17.5	42	7.5	6.35	9.6	108.0	79.2	51	7.5	1.6	36	1/2"
1-1/4"	32	F04	54	165	87	24.0	50	12.0	8.0	11.2	117.5	88.9	63.5	15.9	1.6	42	5/8"
1-1/2"	40	F05	62	193	90	24.0	54	12.0	8.0	11.2	127.0	98.6	73.2	17.5	1.6	50	5/8"
2"	50	F05	80	193	99	24.0	62	12.0	8.0	11.2	152.5	120.7	92	19.1	1.6	50	5/8"
2-1/2"	64	F07	101	235	141	25.5	82	14.5	9.5	16.0	177.8	139.7	104.7	22.3	1.6	70	5/8"
3"	76	F07	118	235	150	25.5	91	14.5	9.5	16.0	190.5	152.4	127.0	23.9	1.6	70	5/8"
4"	96	F10	153	266	172	49.0	107	24.0	17.0	28.0	228.6	190.5	157.2	23.9	1.6	102	5/8"

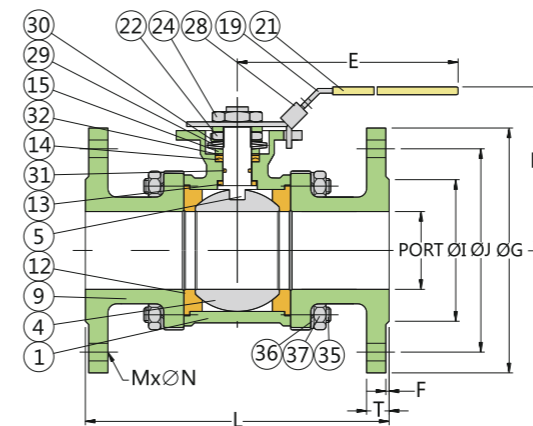
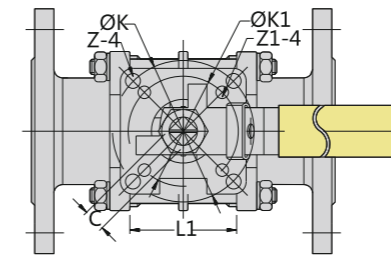
unit:mm



MATERIALS LIST

NO.	PART NAME	PN 16 MATERIAL	CLASS 150% MATERIAL
1	BODY	1.4408 / EN 1503-1	CF8M,CF8(1.4408)
2	BALL	CF8M	CF8M
3	STEM	SS316	AISI 316
4	INSERT CAP	1.4408 / EN 1503-1	CF8M,CF8(1.4408)
5	BODY SEAL	PTFE.	PTFE
6	SEAT	PTFE.	PTFE
7	THRUST WASHER	PTFE.	PTFE
8	STEM PACKING	PTFE.	PTFE
9	GLAND	SS304	AISI 304
10	HANDEL	SS304	AISI 304
11	HANDEL COVER	PLASTIC	AISI 304
12	STEM NUT	SS304	AISI 304
14	HANDEL NUT	SS304	AISI 304
15	BELLEVILLE WASHER	SS301	AISI 304
16	STOP PIN	SS304	PLASTIC
17	HANDLE SLEEVE	PLATIC	PLATIC
18	STOP BOLT	SS304	SS304
19	HANDLE ADAPTER	CF8	CF8
20	HANDLE	STEEL	STEEL
21	PACKING FOLLWER	PTFE.+25GG.F.	PTFE.+25GG.F.
22	TAB WASHER	SS304	AISI 304
23	SET BOLT	SS304	AISI 304

- ISO 5211 DIRECT MOUNTING PAD
- BLOW-OUT PROOF STEM
- WORKING PRESSURE(CWP) :PN16 bar/PN40 bar
- TEMPERATURE RANGE: -20 to 180°C
- LOCKING DEVICE
- END FLANGE DIMENSION:
DIN 2543 PN16/DIN 2545 Pn40 (EN 1092-1 RF)
- FACE TO FACE:EN 558-1/ F1



MATERIALS LIST

NO.	PART NAME	MATERIAL
1	BODY	1.4408 / EN1503-1
4	BALL	CF8M / EN1503-2
5	STEM	SS316
9	END CAP	1.4408 / EN1503-1
12	SEAT	RTFE.
13	THRUST WASHER	RTFE.
14	STEM PACKING	RTFE.
15	GLAND BUSH	SS304
19	HANDLE	SS304
21	HANDLE COVER	VINYL GRIP
22	STEM NUT	SS304
24	HANDLE NUT	SS304
28	LOCKING PAD	SS304
29	BELLEVILLE WASHER	SS304-CSP
30	TAB WASHER	SS304
31	O-RING	VITON
32	PACKING FOLLWER	PTFE.+25GGF
35	BODY BOLT	SS304
36	BOLT WASHER	SS304
37	BOLT NUT	SS304

PN16 DIMENSIONS

SIZE	PORT	L	E	H	C	ØG	ØJ	ØI	T	F	MxØN	ØK	ØK1	Z-4	Z1-4	L1	
DN15	1/2"	15.0	130.0	112.0	74.0	9.0	95.0	65.0	45.0	16.0	2.0	4xØ14	50.0	36.0	7.0	6.0	22.5
DN20	3/4"	20.0	150.0	112.0	81.0	9.0	105.0	75.0	58.0	18.0	2.0	4xØ14	50.0	36.0	7.0	6.0	27.5
DN25	1"	25.0	160.0	136.0	90.5	9.0	115.0	85.0	68.0	18.0	2.0	4xØ14	50.0	36.0	7.0	6.0	34.0
DN32	1-1/4"	32.0	180.0	185.0	98.7	9.0	140.0	100.0	78.0	18.0	2.0	4xØ18	50.0	36.0	7.0	6.0	42.5
DN40	1-1/2"	38.0	200.0	198.0	115.3	14.0	150.0	110.0	88.0	18.0	3.0	4xØ18	70.0	50.0	9.0	7.0	52.0
DN50	2"	50.0	230.0	198.0	124.0	14.0	165.0	125.0	102.0	20.0	3.0	4xØ18	70.0	50.0	9.0	7.0	63.5
DN65	2-1/2"	65.0	290.0	267.0	155.0	17.0	185.0	145.0	122.0	18.0	3.0	4xØ18	102.0	70.0	11.0	9.0	85.5
DN80	3"	80.0	310.0	267.0	208.5	17.0	200.0	160.0	138.0	20.0	3.0	8xØ18	102.0	70.0	11.0	9.0	102.0
DN100	4"	100.0	350.0	322.0	216.7	17.0	220.0	180.0	158.0	20.0	3.0	8xØ18	102.0	70.0	11.0	9.0	128.5

PN40 DIMENSIONS

SIZE	PORT	L	E	H	C	ØG	ØJ	ØI	T	F	MxØN	ØK	ØK1	Z-4	Z1-4	L1	
DN15	1/2"	15.0	130.0	112.0	74.0	9.0	95.0	65.0	45.0	16.0	2.0	4xØ14	50.0	36.0	7.0	6.0	22.5
DN20	3/4"	20.0	150.0	112.0	81.0	9.0	105.0	75.0	58.0	18.0	2.0	4xØ14	50.0	36.0	7.0	6.0	27.5
DN25	1"	25.0	160.0	136.0	90.5	9.0	115.0	85.0	68.0	18.0	2.0	4xØ14	50.0	36.0	7.0	6.0	34.0
DN32	1-1/4"	32.0	180.0	185.0	98.7	9.0	140.0	100.0	78.0	18.0	2.0	4xØ18	50.0	36.0	7.0	6.0	42.5
DN40	1-1/2"	38.0	200.0	198.0	115.3	14.0	150.0	110.0	88.0	18.0	3.0	4xØ18	70.0	50.0	9.0	7.0	52.0
DN50	2"	50.0	230.0	198.0	124.0	14.0	165.0	125.0	102.0	20.0	3.0	4xØ18	70.0	50.0	9.0	7.0	63.5
DN65	2-1/2"	65.0	290.0	267.0	155.0	17.0	185.0	145.0	122.0	22.0	3.0	8xØ18	102.0	70.0	11.0	9.0	85.5
DN80	3"	80.0	310.0	267.0	208.5	17.0	200.0	160.0	138.0	24.0	3.0	8xØ18	102.0	70.0	11.0	9.0	102.0
DN100	4"	100.0	350.0	322.0	216.7	17.0	235.0	190.0	162.0	24.0	3.0	8xØ22	102.0	70.0	11.0	9.0	128.5